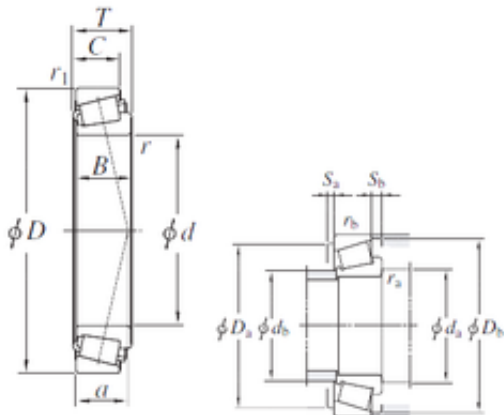




ASAHI FORGE OF AMERICA BEARING CORP.

476,25 mm x 565,15 mm x 41,275 mm KOYO
LL771948/LL771911 tapered roller bearings



Bearing No. LL771948/LL771911

Size	476.25x565.15x41.275 mm
Bore Diameter	476,25 mm
Outer Diameter	565,15 mm
Width	41,275 mm
d	476,25 mm
D	565,15 mm
T	41,275 mm
B	41,275 mm
C	31,75 mm
a	99,3 mm
r min.	3,2 mm
r1 min.	3,2 mm
da min.	491 mm
Da min	535 mm
Da max.	550 mm
db max.	499 mm
ra max.	3,2 mm
rb max.	3,2 mm
Db	540 mm
Weight	18,4 Kg
Basic dynamic load rating (C)	520 kN
Basic static load rating (C0)	1530 kN
Calculation factor (e)	0,47
Calculation factor (Y0)	0,7

LL771948/LL771911 Bearing 2D drawings and 3D CAD models