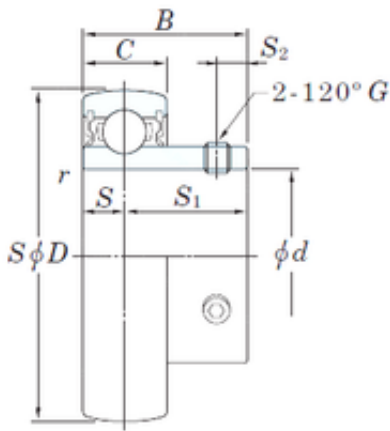




ASAHI FORGE OF AMERICA BEARING CORP.



28,575 mm x 62 mm x 30 mm KOYO SB206-18 deep groove ball bearings

Bearing No. SB206-18

Size	28.575x62x30 mm
Bore Diameter	28,575 mm
Outer Diameter	62 mm
Width	30 mm
d	28,575 mm
D	62 mm
B	30 mm
C	16 mm
S1	22 mm
r min.	1 mm
S	8 mm
S2	6 mm
Thread (G) - 1/4-28UNF	1/428UNF
Weight	0,27 Kg
Basic dynamic load rating (C)	19,5 kN
Basic static load rating (C0)	11,3 kN

SB206-18 Bearing 2D drawings and 3D CAD models