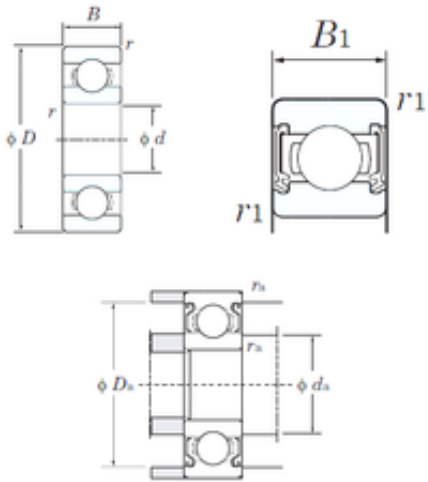




ASAHI FORGE OF AMERICA BEARING CORP.



9 mm x 26 mm x 8 mm KOYO 629-2RD deep groove ball bearings

Bearing No. 629-2RD

Size	9x26x8 mm
Bore Diameter	9 mm
Outer Diameter	26 mm
Width	8 mm
d	9 mm
D	26 mm
B	8 mm
C	8 mm
r min.	0,6 mm
r1 min.	0,6 mm
da min.	12,1 mm
Da max.	22 mm
ra max.	0,3 mm
Weight	0,02 Kg
Basic dynamic load rating (C)	4,55 kN
Basic static load rating (C0)	1,95 kN
(Grease) Lubrication Speed	24000 r/min

629-2RD Bearing 2D drawings and 3D CAD models