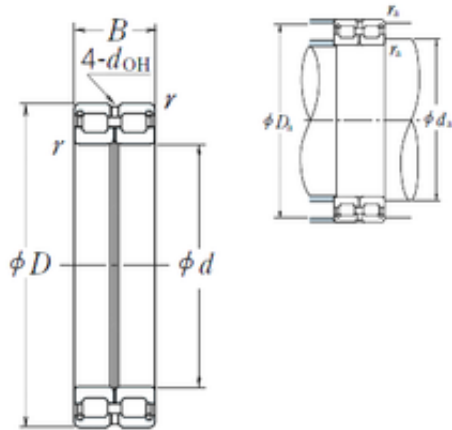




# ASAHI FORGE OF AMERICA BEARING CORP.

## 100 mm x 140 mm x 40 mm NSK RS-4920E4 cylindrical roller bearings



Bearing No. RS-4920E4

RS-4920E4 Bearing 2D drawings and 3D CAD models

Size	100x140x40 mm
Bore Diameter	100 mm
Outer Diameter	140 mm
Width	40 mm
d	100 mm
D	140 mm
B	40 mm
C	40 mm
r min.	1,1 mm
da min.	106,5 mm
Da max.	133,5 mm
ra max.	1 mm
Weight	1,97 Kg
Basic dynamic load rating (C)	194 kN
Basic static load rating (C0)	400 kN
(Grease) Lubrication Speed	1000 r/min
hidYobi	RS-4920E4
LangID	1
D_	140
B_	40
hidTable	ecat_NSCLDRS
Oil rpm	1000
mass	1.97
GRS rpm	2000
ra	1



## ASAHI FORGE OF AMERICA BEARING CORP.

da_min	106.5
C0	400
DE_	129.8
Prod_Type3	CRB_FRFS_OT_FIX
DA_	9
Z_	42
yobi	RS-4920E4
da_max	133.5
SDM_	120.8
r	1.1
KBRG	4220
DI_	111.8
doh	3