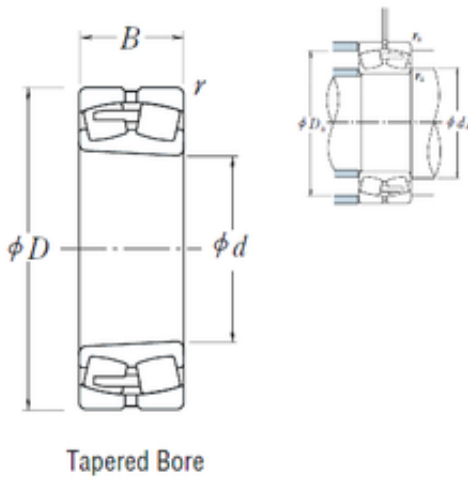




ASAHI FORGE OF AMERICA BEARING CORP.



220 mm x 300 mm x 60 mm NSK 23944CAKE4 spherical roller bearings

Bearing No. 23944CAKE4

Size	220x300x60 mm
Bore Diameter	220 mm
Outer Diameter	300 mm
Width	60 mm
d	220 mm
D	300 mm
B	60 mm
C	60 mm
r min.	2,1 mm
da min.	232 mm
Da min	278 mm
Da max.	288 mm
ra max.	2 mm
Weight	12,2 Kg
Basic dynamic load rating (C)	625 kN
Basic static load rating (C0)	1240 kN
(Grease) Lubrication Speed	1000 r/min
(Oil) Lubrication Speed	1300 r/min
Calculation factor (e)	0,18
Calculation factor (Y0)	3,7
Calculation factor (Y2)	5,7

23944CAKE4 Bearing 2D drawings and 3D CAD models