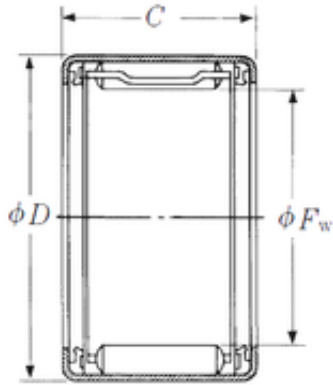




ASAHI FORGE OF AMERICA BEARING CORP.

NSK FJTT-4024 needle roller bearings



Bearing No. FJTT-4024

Size	40x47x24 mm
Bore Diameter	40 mm
Outer Diameter	47 mm
Width	24 mm
Fw	40 mm
D	47 mm
C	24 mm
Weight	0,055 Kg
Basic dynamic load rating (C)	23,5 kN

FJTT-4024 Bearing 2D drawings and 3D CAD models