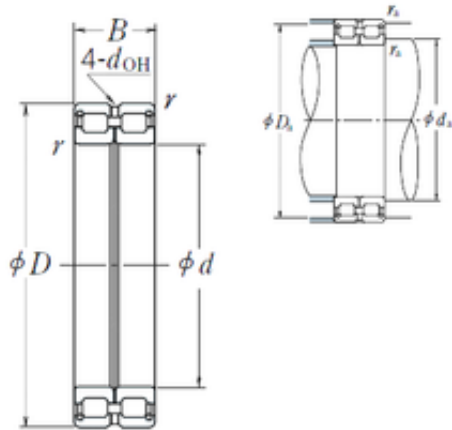




ASAHI FORGE OF AMERICA BEARING CORP.

160 mm x 220 mm x 60 mm NSK RS-4932E4 cylindrical roller bearings



Bearing No. RS-4932E4

RS-4932E4 Bearing 2D drawings and 3D CAD models

Size	160x220x60 mm
Bore Diameter	160 mm
Outer Diameter	220 mm
Width	60 mm
d	160 mm
D	220 mm
B	60 mm
C	60 mm
r min.	2 mm
da min.	169 mm
Da max.	211 mm
ra max.	2 mm
Weight	7 Kg
Basic dynamic load rating (C)	410 kN
Basic static load rating (C0)	930 kN
(Grease) Lubrication Speed	600 r/min
hidYobi	RS-4932E4
LangID	1
D_	220
B_	60
hidTable	ecat_NSCLDRS
Oil rpm	600
mass	7
GRS rpm	1200
ra	2



ASAHI FORGE OF AMERICA BEARING CORP.

da_min	169
C0	930
DE_	204.1
Prod_Type3	CRB_FRFS_OT_FIX
DA_	13
Z_	46
yobi	RS-4932E4
da_max	211
SDM_	191.1
r	2
KBRG	4220
DI_	178.1
doh	5