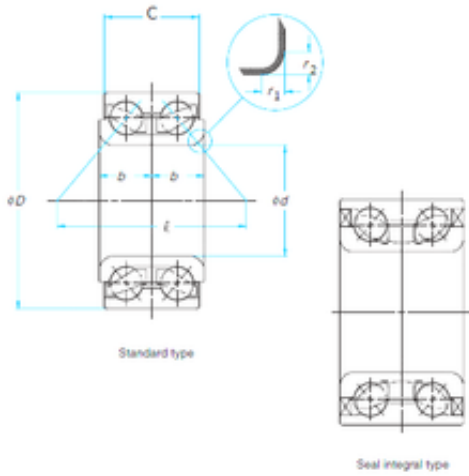




ASAHI FORGE OF AMERICA BEARING CORP.



40 mm x 75 mm x 39 mm NSK
40BWD17DCA116 angular contact ball bearings

Bearing No. 40BWD17DCA116

Size	40x75x39 mm
Bore Diameter	40 mm
Outer Diameter	75 mm
Width	39 mm
d	40 mm
D	75 mm
B	39 mm
C	39 mm
Weight	0,7 Kg

40BWD17DCA116 Bearing 2D drawings and 3D CAD models