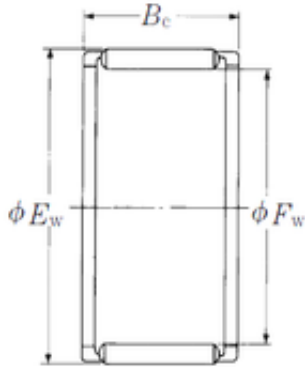




ASAHI FORGE OF AMERICA BEARING CORP.

NSK FWF-12513335 needle roller bearings



Bearing No. FWF-12513335

Bore Diameter	125 mm
Outer Diameter	133 mm
Fw	125 mm
Ew	133 mm
Bc	35 mm
Weight	0,255 Kg
Basic dynamic load rating (C)	93,5 kN
Basic static load rating (C0)	284 kN

FWF-12513335 Bearing 2D drawings and 3D CAD models