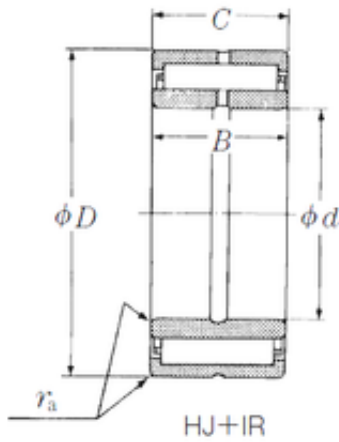




# ASAHI FORGE OF AMERICA BEARING CORP.

17,462 mm x 34,925 mm x 19,05 mm NSK  
HJ-142212+IR-111412 needle roller bearings



Bearing No. HJ-142212+IR-111412

Size	17.462x34.925x19.05 mm
Bore Diameter	17,462 mm
Outer Diameter	34,925 mm
Width	19,05 mm
d	17,462 mm
Fw	22,225 mm
D	34,925 mm
B	19,05 mm
C	19,05 mm
ra max.	1 mm
Weight	0,151 Kg
Basic dynamic load rating (C)	22,1 kN
Basic static load rating (C0)	26,2 kN

HJ-142212+IR-111412 Bearing 2D drawings and 3D CAD models