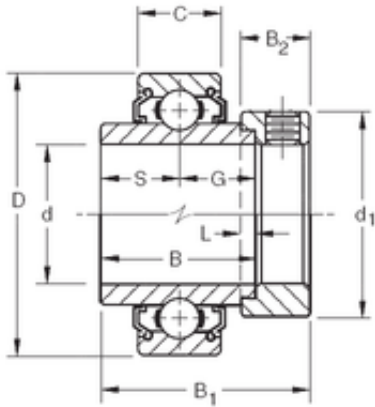




ASAHI FORGE OF AMERICA BEARING CORP.

55,5625 mm x 100 mm x 55,56 mm Timken
1203KLL deep groove ball bearings



Bearing No. 1203KLL

Size	55.5625x100x55.56 mm
Bore Diameter	55,5625 mm
Outer Diameter	100 mm
Width	55,56 mm
d	55,5625 mm
D	100 mm
B	55,56 mm
C	21 mm
d1	76,2 mm
B1	71,44 mm
B2	20,64 mm
G	27,98 mm
L	4,76 mm
S	27,98 mm
Weight	1,347 Kg
Basic dynamic load rating (C)	48 kN

1203KLL Bearing 2D drawings and 3D CAD models