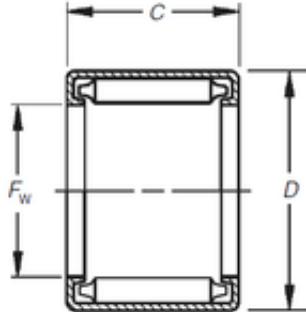




ASAHI FORGE OF AMERICA BEARING CORP.

Timken B-3216 needle roller bearings



Bearing No. B-3216

Size	50.8x60.325x25.4 mm
Bore Diameter	50,8 mm
Outer Diameter	60,325 mm
Width	25,4 mm
F _w	50,8 mm
D	60,325 mm
C	25,4 mm
Weight	0,124 Kg
Basic dynamic load rating (C)	57,4 kN
Basic static load rating (C0)	138 kN
(Grease) Lubrication Speed	2100 r/min

B-3216 Bearing 2D drawings and 3D CAD models