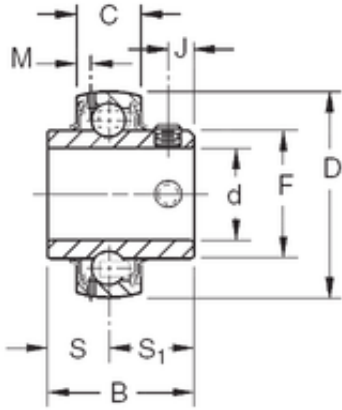




ASAHI FORGE OF AMERICA BEARING CORP.

68,2625 mm x 125 mm x 69,85 mm Timken
GY1211KRRB deep groove ball bearings



Bearing No. GY1211KRRB

Size	68.2625x125x69.85 mm
Bore Diameter	68,2625 mm
Outer Diameter	125 mm
Width	69,85 mm
d	68,2625 mm
D	125 mm
B	69,85 mm
C	28 mm
S1	42,84 mm
F	86,92 mm
J	12 mm
M	5,08 mm
S	26,97 mm
Thread (G)	M12X1,75
Basic dynamic load rating (C)	69,5 kN

GY1211KRRB Bearing 2D drawings and 3D CAD models